

HPT

Công ty TNHH HPT Quốc Tế

Hotline : 0988.11.44.34

Email : hadx.hpt@gmail.com



LINH KIỆN THIẾT BỊ LẠNH

2018

heating elements

heating elements for refrigeration

heating elements for defrosting



HPT	417597	Ref. No.	73636302
description	heating element 400W 230V L 375mm W 190mm L1 30mm L2 345mm W1 100mm W2 90mm cable length 900mm tube ø 8.5mm immersion heater defrosting		



HPT	417596	Ref. No.	73636304
description	heating element 600W 230V L 580mm W 190mm L1 25mm L2 555mm W1 110mm W2 80mm cable length 900mm tube ø 8.5mm immersion heater defrosting		

heating cables

connection on both sides

with wire end ferrules



HPT	420379	Ref. No.	73636204
description	heating cable 25.2W 230V L 3900mm L1 (unheated) 1800mm L2 (heated) 2100mm for blast chiller		



	420378	Ref. No.	73636194 73636208
description	heating cable 36W 230V L 4500mm L1 (unheated) 1500mm L2 (heated) 3000mm for blast chiller		



	420380	Ref. No.	73636210
description	heating cable 44W 230V L 6500mm L1 (unheated) 2650mm L2 (heated) 3650mm for blast chiller		

connection on both sides (metal braided)



	417602	Ref. No.	73632024
description	heating cable 52W 230V L1 (unheated) 200mm L2 (heated) 6500mm door frame heating L 6700mm connection cable		

foil heating elements



	416371	Ref. No.	70259058
description	foil heating element L 400mm W 290mm 1000W 230V t.max. 140°C with temperature limiter silicone cable length 2000mm thickness 1mm		

switches and momentary switches

rocker/momentary rocker switches

25.5x25mm



	347657 ¹	Ref. No.	74742012
description	rocker switch mounting measurements 25x25mm yellow 2NO 250V 16A illuminated lighting connection male faston 6.3mm ambient temperature max. 100/55°C protection IP40		

accessories for



	301323	Ref. No.	—
description	protective cover external size 35x35mm H 11mm transparent suitable for rocker switch mounting measurements 25.5x25mm L 35mm W 35mm		

¹illuminated

27.8x25mm



	347656 ¹	Ref. No.	74742010 74742011
description	rocker switch mounting measurements 27.8x25mm green 2NO 250V 16A illuminated 0-I connection male faston 6.3mm		

¹illuminated

30x22mm



	347112	Ref. No.	74742008 74742025
description	rocker switch mounting measurements 30x22mm green 2NO 250V 16A illuminated ON-OFF connection male faston 6.3mm ambient temperature max. 85°C protection IP40		

accessories for



	301036	Ref. No.	—
description	protective cover internal size 30x22mm for rocker switch mounting measurementsmm		



microswitches

with push button

switches with snap-fit



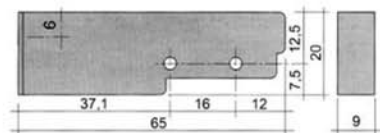
HPT	348008	Ref. No.	78010438
description	microswitch with push button 250V 5A 1NO/1NC connection male faston 2.8mm/6.3mm L 27mm L1 22mm ambient temperature max. 104°C actuating force: 180g		

non-standard

HPT	348019	Ref. No.	74742200
description	microswitch with cable		

magnetic switches

65x20mm



HPT	344998 ¹	Ref. No.	74742196 74742197
description	magnetic switch L 65mm W 20mm 1NO 250V 0.4A P max. 25W connection male faston 6.3mm cable length 2000mm		

lamps

indicator lights

indicator lights (complete)

ø 6mm



HPT	359038	Ref. No.	74742108
description	indicator light ø 6mm 230V red		

linear lamps

infrared lamps

with base type R7s



HPT	357233	Ref. No.	74751011
description	infrared lamp socket R7s L 190mm 235V 200W OSRAM		



HPT	357019	Ref. No.	74751020
description	infrared lamp socket R7s L 254mm 235V 500W IMPORT		

sockets for linear lamps

R7s



HPT	359735	Ref. No.	74741636
description	lamp socket socket R7s 250V ømm L 16mm W 25mm H 40mm connection cable 230mm mounting distancemm		



HPT	357234	Ref. No.	74741632
description	lamp socket socket R7s ø 18mm H 27mm connection cable 2000mm mounting distancemm mounting thread M14x1 cable material PTFE Qty 1 pcs		



electric components

contactors

GENERAL ELECTRIC (AEG)

power contactors



1	HPT	380263	Ref. No.	74700506
description	power contactor resistive load 32A 230VAC (AC3/400V) 17A/7.5kW main contacts 4NO auxiliary contacts connection screw connection type AEG LS7K 400A type GE CL00A 310			

electronic controllers

CAREL

refrigeration controllers

built-in version



1	HPT	378301	Ref. No.	74700742
description	electronic controller CAREL mounting measurements 71x29mm built-in depth 65mm 250V voltage AC NTC relay outputs 12A/10A with screw clamps protection IP65 -50 up to +90°C display 2½ digits + algebraic sign resolution 1°C RoomTempIN 1 TempIN3 1 type PJA0-S0A01K front measurements 81x36mm			



1	HPT	378329	Ref. No.	74700881
description	electronic controller CAREL PYAO1C0522 mounting measurements 71x29mm built-in depth 59mm 230V voltage AC NTC relay outputs 1 CO-12A(2) NTC yes protection IP65 -50 up to +90°C display 3½ digits			



1	HPT	378370	Ref. No.	74700883
description	electronic controller CAREL PYAO1R0523 mounting measurements 71x29mm built-in depth 74mm 230V voltage AC NTC relay outputs 3 NO-10A(10) CO-8A(4) NO-8A(4) NTC NTC DI yes protection IP54 -50 up to +90°C display 3½ digits			

probes

universal probes

temperature probes



1	HPT	379161	Ref. No.	74700916
description	temperature probe NTC 10kOhm cable thermoplastic probe -40 up to +110°C cable -40 up to +110°C probe ø6x14mm cable length 3m without screw connection 2-wire			



1	HPT	381468	Ref. No.	74700917 74700919
description	temperature probe NTC 10kOhm probe -50 up to +110°C probe ø5x20mm cable length 1.5m protection IP67			

producer-specific probes

probes



1	HPT	403511	Ref. No.	74700999
description	temperature probe PTC 1kOhm cable silicone probe -50 up to +150°C cable -50 up to +180°C connection 2-wire thread probe ø5.9x29mm cable length 3m			



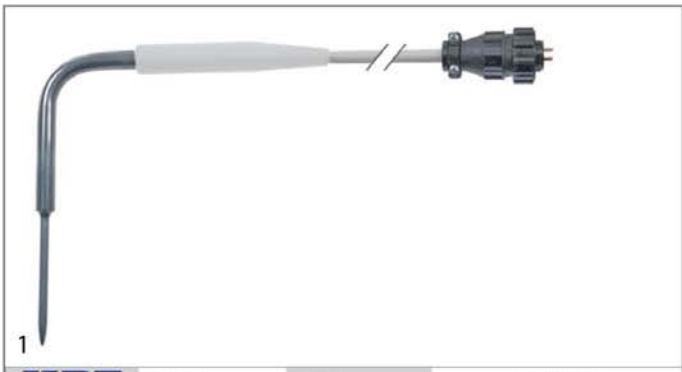
core probes



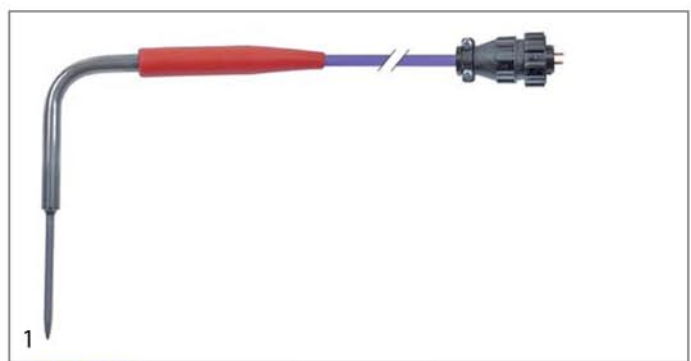
HPT	379707	Ref. No.	74700998
description	core temperature probe cable silicone cable -50 up to +180°C connection 2-wire probe ø5x100mm thread cable length 3m handle ø 8mm handle length 120mm		



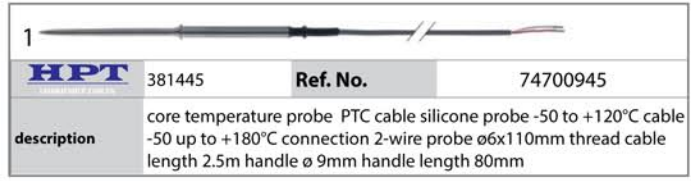
HPT	523049	Ref. No.	74700124
description	core temperature probe NTC cable silicone probe -40 up to +110°C cable -50 up to +180°C connection 2-wire probe ø4.5x80mm thread cable length 1m handle ø 16mm handle length 120mm L1 50mm L2 165mm		



HPT	379759	Ref. No.	74700112
description	core temperature probe Pt100 cable silicone probe -40 up to +120°C cable -50 up to +180°C connection plug probe ø4.5x80mm thread cable length 1m handle ø 10mm handle length 120mm L1 150mm L2 85mm		



HPT	378364	Ref. No.	74700116
description	core temperature probe PTC cable silicone probe -40 up to +120°C cable -50 up to +180°C connection plug probe ø4.5x170mm thread cable length 1m handle ø 16mm handle length 100mm		



HPT	381445	Ref. No.	74700945
description	core temperature probe PTC cable silicone probe -50 to +120°C cable -50 up to +180°C connection 2-wire probe ø6x110mm thread cable length 2.5m handle ø 9mm handle length 80mm		

electronics

PCBs



HPT	403474	Ref. No.	74701062
description	display PCB blast freezer CT1TM0010003 L 90mm W 80mm suitable for AFINOX		



HPT	403720	Ref. No.	74701064
description	keypad PCB L 275mm W 48mm		



HPT	403475	Ref. No.	74701063
description	PCB blast freezer L 118mm W 80mm suitable for AFINOX model EVC80510P7AFX00		

compressors

EMBRACO / ASPERA

R290A

LBP monophase

Lower evaporation temperature below -20°C



HPT	605199	Ref. No.	74865548
description	compressor coolant R290 type NT2180U 220-240V 50Hz LBP 18.2kg 1HP cylinder capacity 22.4cm ³ CSIR H 234mm 653W 835W 1047W 1290W 1563WWWWW		

HBP monophase

High evaporation temperature above -15°C



HPT	605198	Ref. No.	74861566
description	compressor coolant R290 type EMT6165U 220-240V 50Hz HBP 7.8kg 1/3HP cylinder capacity 5.96cm ³ CSIR H 166mmWW 330W 402W 485W 580W 690W 822W 978W ambient temperature max. 54.4°C		

R404a/R507

LBP monophase

Lower evaporation temperature below -20°C



HPT	605260	Ref. No.	74865760
description	compressor coolant R404A type NT2192GK 220/240V 50Hz LBP 17.5kg 1.1HP cylinder capacity 22.37cm ³ CSCR 815W 1066W 1361W 1701W 2085WWWWW		



HPT	605078	Ref. No.	8R07B/5.5
description	compressor coolant R404a/R507 type NT2180GK 220-240V 50Hz LBP fully hermetic 17.3kg 1HP cylinder capacity 20.44cm ³ CSIR H 221mm 515W 598W 682W 769W 859W 956WWWWW test method ASHRAE		

HMBP monophase

High/Medium evaporation temperature above -20/-15 °C



HPT	605004	Ref. No.	74865635
description	compressor coolant R404a/R507 type EMT6152GK 220-240V 50Hz HMBP fully hermetic 7.8kg 1/5HP cylinder capacity 4.5cm ³ CSIR H 166mmWWW 267W 332W 351W 437W 535W 646W 769W test method ASHRAE		



HPT	605165	Ref. No.	74865634
description	compressor coolant R404a/R507 type NT6226GK 220-240V 50Hz HMBP 18.1kg 1HP cylinder capacity 22.4cm ³ CSIR H 234mmW 1314W 1650W 2058W 2532W 3068W 3658W 4298W		

evaporation and condensing trays

evaporation trays heated



HPT	750355	Ref. No.	73681793
description	evaporation tray heated L 485mm W 42mm H 154mm 110-260V		



fans

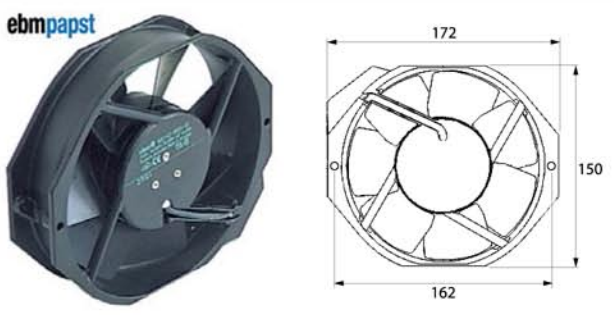
axial fans

ebm-papst



1	HPT	601634 ¹	Ref. No.	74847154
description	axial fan L 119mm W 119mm H 25mm 230VAC 50Hz 14W bearing ball bearing manuf. no. 9956 connection male faston 2.8mm ebm-papst			
accessories for	601634			
	HPT	692497	Ref. No.	—
	guard ø 105mm mounting distance 150mm for axial fan ebm-papst-mm			

¹with ball bearings



1	HPT	601113 ¹	Ref. No.	74845068
description	axial fan L 172mm W 150mm H 38mm 230VAC 50/60Hz 27/28W bearing ball bearing connection male faston 2.8mm manuf. no. 7056ES metal ebm-papst fan wheel ø 145mm temp.-resist. 55°C			

¹with ball bearings

import



1	HPT	601080 ¹	Ref. No.	74845089
description	axial fan L 119mm W 119mm H 38mm 230VAC 50/60Hz 23/20W bearing ball bearing connection male faston 2.8mm metal ADDA fan wheel ø 110mm temp.-resist. 70°C			
accessories for	601080			
	HPT	550898	Ref. No.	—
	connecting cable cable length 2000mm connection F 2.8 connection distance 7.9mm for axial flow fan			

¹with ball bearings

accessories for	601080			
	GEV No.	692519	Ref. No.	—
	guard L 120mm W 120mm plastic			



1	HPT	601055 ¹	Ref. No.	74845091
description	axial fan L 92mm W 92mm H 25mm 230VAC 50/60Hz 14.5/14W bearing ball bearing connection male faston 2.8mm metal ADDA fan wheel ø 85mm temp.-resist. 70°C			
accessories for	601055			
	HPT	550898	Ref. No.	—
	connecting cable cable length 2000mm connection F 2.8 connection distance 7.9mm for axial flow fan			
	HPT	691103	Ref. No.	—
	guard ø 90mm mounting distance 83mm for axial fan 92mm			

¹with ball bearings

refrigeration fans

refrigeration motors universal

ebm-papst

multi fit fan motors



1	HPT	601757	Ref. No.	74848152
description	fan motor 10W 230V 50/60Hz L1 43.5mm L3 82mm W 67mm cable length 1500mm 1300/1550rpm ebm-papst M4Q045-CA03-75 5 mounting options bearing slide bearing			
spare parts for	601757			
	HPT	601413	Ref. No.	—
	fixing plate suitable for fanwheel ED ø 32mm shaft ø 7 mounting distance 26mm			

cooling motors (various)

accessories for cooling fan

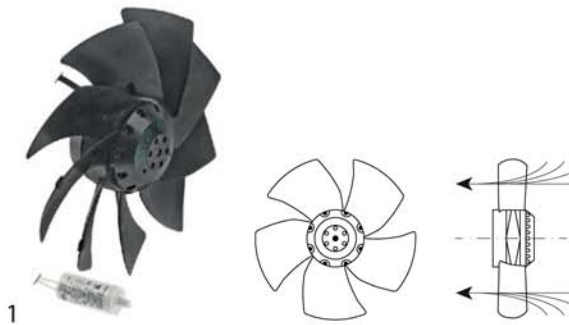


HPT	601981	Ref. No.	74837108
description	guard for fan wheel ø 230mm suitable for AFINOX		

cold air circulating fans (complete)

ebm-papst

A2E series

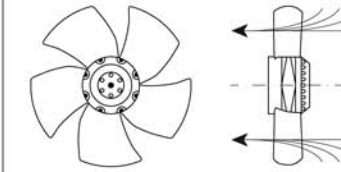


HPT	601960	Ref. No.	74845062
description	fan A2E250-AM06-13 fan wheel ø 250mm blades 9 230V 50Hz 120W 2500rpm cable length 1000mm ebm-papst sucking suitable capacitor 3µF		
accessories for	601960		
HPT	365137	Ref. No.	—
description	capacitor capacity 3µF 450V tolerance 5% 50/60Hz ambient temperature max. -25 to +85°C ø 25mm L 56mm M8 plastic connection cable 250mm 416.17.77GF protection		

A4E series




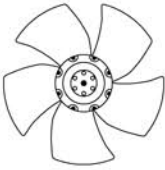
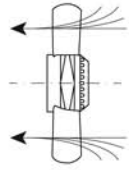
HPT	601622	Ref. No.	74845072
description	fan A4E315-AC08-18 fan wheel ø 315mm blades 5 230V 50Hz 95W 1370rpm cable length 450mm ebm-papst blowing suitable capacitor 3µF		
accessories for	601622		
HPT	601955	Ref. No.	—
description	guard ebm-papst for fan wheel ø 315mm ø 330mm hole distance 371mm H 45mm		





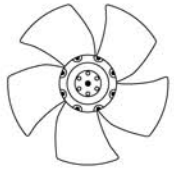
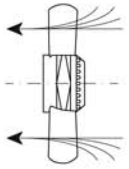
HPT	601961	Ref. No.	74845082
description	fan A4E250-AI02-09 fan wheel ø 250mm blades 9 230V 50/60Hz 45/48W 1380/1620rpm cable length 1500mm ebm-papst sucking suitable capacitor 1.5µF suitable for blast chiller		
spare parts for	601961		
HPT	365171	Ref. No.	—
description	capacitor capacity 1.5µF 400V tolerance 5% 50/60Hz ambient temperature max. -40 up to +85°C ø 25mm L 50mm M8 plastic connection cable 250mm MLR25PRL		



HPT	601626	Ref. No.	74845074
description	fan A4E350-AN19-01 fan wheel ø 350mm blades 5 230V 50Hz 158/200W 1270rpm cable length 450mm ebm-papst sucking suitable capacitor 4µF		
accessories for	601626		
HPT	601950	Ref. No.	—
description	guard ebm-papst for fan wheel ø 350mm ø 375mm hole distance 422mm H 80mm		

HPT	601627	Ref. No.	74845078
description	fan A4E400-AP02-01 fan wheel ø 392mm blades 5 230V 50Hz 160W 940rpm cable length 450mm ebm-papst sucking suitable capacitor 6µF		
accessories for	601627		
	HPT	601956	Ref. No. —
description	guard ebm-papst for fan wheel ø 400mm ø 440mm hole distance 490mm H 85mm		

HPT	602045	Ref. No.	70704
description	fan A4E450-AP01-01 fan wheel ø 450mm blades 5 230V 50/60Hz 245/355W mounting distance 65mm 1400/1600rpm connection 4-wire cable length 500mm rotation direction left ebm-papst sucking suitable capacitor MLR25PRLµF		

HIDRIA






HPT	602043	Ref. No.	74845152
description	fan type R09E-2026P-2M-1611 fan wheel ø 200mm 230V 50/60Hz 45W suitable capacitor 1.5µF HIDRIA suitable for AFINOX 2680rpm blowing cable length 1300mm		
accessories for	602043		
	HPT	365171	Ref. No. —
description	capacitor capacity 1.5µF 400V tolerance 5% 50/60Hz ambient temperature max. -40 up to +85°C ø 25mm L 50mm M8 plastic connection cable 250mm MLR25PRL		

cross flow fans

EMMEVI - FERGAS

with moulded coils



HPT	601852	Ref. No.	74845036
description	cross flow fan roller ø 60mm roller length 420mm laminated core thickness 40mm motor position right 230V/50Hz 65W refrigeration bearing rubber connection cable -10 up to +60°C 230V cable length 2000mm with moulded coil		

condensators & interference suppression filters

operating capacitors

plastic



HPT	365205	Ref. No.	74742178
description	operating capacitor capacity 3.15µF 450V tolerance 5% 50/60Hz ambient temperature max.°C ø 30mm L 52mm M8 plastic connection male faston 6.3mm 74742178 protection		

equipmentspecific units

for fridges

housing and bezels

covers



HPT	694954	Ref. No.	72600058
description	cover for fridge L 1600mm W 45mm H 9mm Qty 1 pcs AGX700		

for display coolers

spare parts and accessories



1

HPT	692759	Ref. No.	74701956
description	sump L 510mm W 100mm H 55mm plastic		

locks

locking devices

producer-specific

AFINOX



1

HPT	601982	Ref. No.	74707380
description	key cylinder straight thread M20x1 rotation 90° suitable for AFINOX cylinder 30mm		

snap locks

producer-specific

AFINOX



1

HPT	694769	Ref. No.	74702045+74702043
description	snap lock L 13mm with plug-in lock refrigerator		

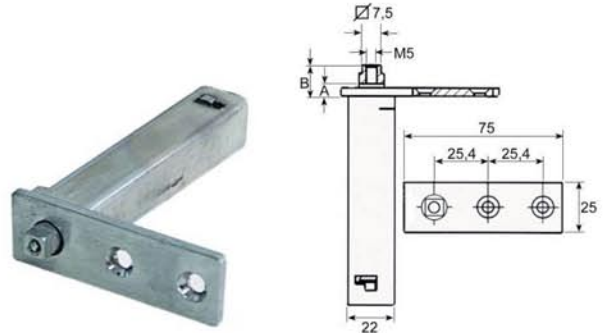
hinges

spring assisted hinges

universal

INTERKLIMAT

hinges



1

HPT	690714	Ref. No.	74708096
description	spring assisted hinge series 28XC mounting pos. left/right L 75mm W 25mm H 103mm A 8mm B 11mm intake 7.5x7.5 refrigeration units mounting distance 25mm		

door bearing



1

HPT	692542	Ref. No.	74708200
description	bracket L 180mm H 7mm mounting pos. upper without bolt suitable for AFINOX		



1

HPT	692573	Ref. No.	74708202
description	bracket L 230mm W 32mm H 14mm mounting pos. lower without bolt suitable for AFINOX		



1

HPT	701434	Ref. No.	74702088
description	bush H 8mm ø 20mm ID ø 6mm black for hinge Qty 1 pcs		

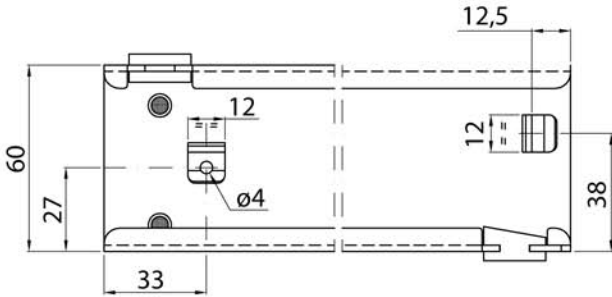




pullouts

drawer slides

universal

compeX



HPT	696714 ¹	Ref. No.	74703170+74703172
description	drawer slide L 550mm pull-out length 610mm total length 1160mm Qty 1 pair capacity 50kg W 16mm H 60mm SS telescopic		
spare parts for	696714		
	HPT	690750	Ref. No. 74702948
description	stop for telescopic rail L 20mm plastic H 12mm D 9mm		
	HPT	696333	Ref. No. 74702946
description	stop for telescopic rail L 20mm plastic H 15mm D 8mm		

¹multiple slide (60mm more than nominal length)

accessories



HPT	690750	Ref. No.	74702948
description	stop for telescopic rail L 20mm plastic H 12mm D 9mm		



HPT	696333	Ref. No.	74702946
description	stop for telescopic rail L 20mm plastic H 15mm D 8mm		

equipment feet and end caps

equipment feet

with screw mounting

components



GEV No.	701435	Ref. No.	74702197
description	equipment foot tube ø 60mm plate size mm hole distance mm H 247mm SS size 2 1/3" Qty 1 pcs		

with fixing plate



HPT	701433	Ref. No.	74702204 74702570
description	equipment foot tube ø 64mm plate size 100x100mm hole distance 70x70mm H 140-240mm SS size 2 1/2" Qty 1 pcs		

components



HPT	701435	Ref. No.	74702197
description	equipment foot tube ø 60mm plate size mm hole distance mm H 247mm SS size 2 1/3" Qty 1 pcs		

DERBY RUOTE

with fixing plate

chrome-plated steel



1

	701423	Ref. No.	71379634
description	swivel castor with swivel brake ø 125mm plate fixing housing chrome-plated sheet steel plate size 95x70mm hole distance 70x50mm capacity 100kg bearing cup-and-cone bearing wheel body polypropylene tread TPE tyres H 162mm wheel width 30mm Qty 1 pcs		



1

	701422	Ref. No.	71379633
description	swivel castor without break ø 125mm plate fixing housing chrome-plated sheet steel plate size 95x70mm hole distance 70x50mm capacity 100kg bearing cup-and-cone bearing wheel body polypropylene tread TPE tyres H 162mm wheel width 30mm Qty 1 pcs		

shelves and shelf rails

grates

universal

without upstand



1

	970120	Ref. No.	74768006
description	grate W 325mm D 530mm GN 1/1 chrome-plated steel wire gauge frame 7mm lengthwise wires gauge 4mm crossing wires 1		
accessories for	970120		
	690330	Ref. No.	—
	rack L 1000mm W 22mm H 4mm aperture 3x8mm hole distance 12.5mm stainless steel		
	694700	Ref. No.	—
	shelf support L 31/28mm W 22mm H 18mm SS Qty 12 pcs		
	694701	Ref. No.	—
	shelf support L 31/28mm W 22mm H 17mm SS with hook Qty 12 pcs		



1

	970126	Ref. No.	74768026 GRP001
description	grate W 530mm D 650mm GN 2/1 plastic-coated steel wire gauge frame 8mm lengthwise wires gauge 5mm crossing wires 2 white suitable for refrigerator		
accessories for	970126		
	690330	Ref. No.	—
	rack L 1000mm W 22mm H 4mm aperture 3x8mm hole distance 12.5mm stainless steel		
	694700	Ref. No.	—
	shelf support L 31/28mm W 22mm H 18mm SS Qty 12 pcs		
	694701	Ref. No.	—
	shelf support L 31/28mm W 22mm H 17mm SS with hook Qty 12 pcs		

shelf rails and supports

producer-specific



1

	692541	Ref. No.	72604960
description	guide L-shape L 350mm W 30mm H 10mm mounting pos. L-R for blast chiller suitable for AFINOX		



1

	692617	Ref. No.	74701911
description	guide U-shape L 550mm W 16mm mounting pos. left/right inner height 20mm		



1

	692539	Ref. No.	72606874
description	guide U-shape L 568mm W 22mm mounting pos. left/right inner height 15mm		